

Geoprobe® 3145GT Geotech Rig

Geotech Rigs | 3145GT

Efficiency and Performance to Punch Out Power and Pipe Line Projects

Quickly traverse long stretches of tough terrain encountered on pipe line, power line or wind farm projects in the NEW 3145GT geotechnical drill rig, combining the efficiency and simplicity of 31 series drill mast with speed and comfort of crawler carrier.

▶ Geotech Head Options

(All functions are available along the head side shift)

- 4-Speed Rotary Head (4,000 ft-lb, 750 rpm) (Standard Option)
- 6-Speed Rotary Head (6,800 ft-lb, 720 rpm) (High Torque - Optional)
- GH63 Percussion Hammer
- CPT Push / Pull Assembly
- DH104 Automatic Drop Hammer (Hands-Free)
- Rod Grip Pull System

Telescoping Winch Mast

- Primary Winch
 - 6,800-lbf.
- Secondary Winch Options
 - 2,500-lbf.
 - 1,800-lbf. (quick change hook)
- Third Winch - Optional
 - 1,100-lbf. (quick change hook, wireline)
- Taller Standard Winch
 - pull 20-foot tooling string with attached split spoon above the breakout

Drill Mast

- 105 in. of Head Feed Travel
- 36,000 lb. of Push Force
- 48,000 lb. of Pull Force
- Extend, Swing, Mast Dump, Oscillation, and Fold
- CPT feed rate and hydraulic limit functions are standard
- Mast dump provides 45 in. of vertical travel to allow room for a mud pan
- Pivoting winch mast option lowers transport height 15 inches
- Standard coring controls

28 in. of Head Side Shift

Swing Out 7-in. Breakout

Moyno® 3L8 Pump Kit

Control Panel

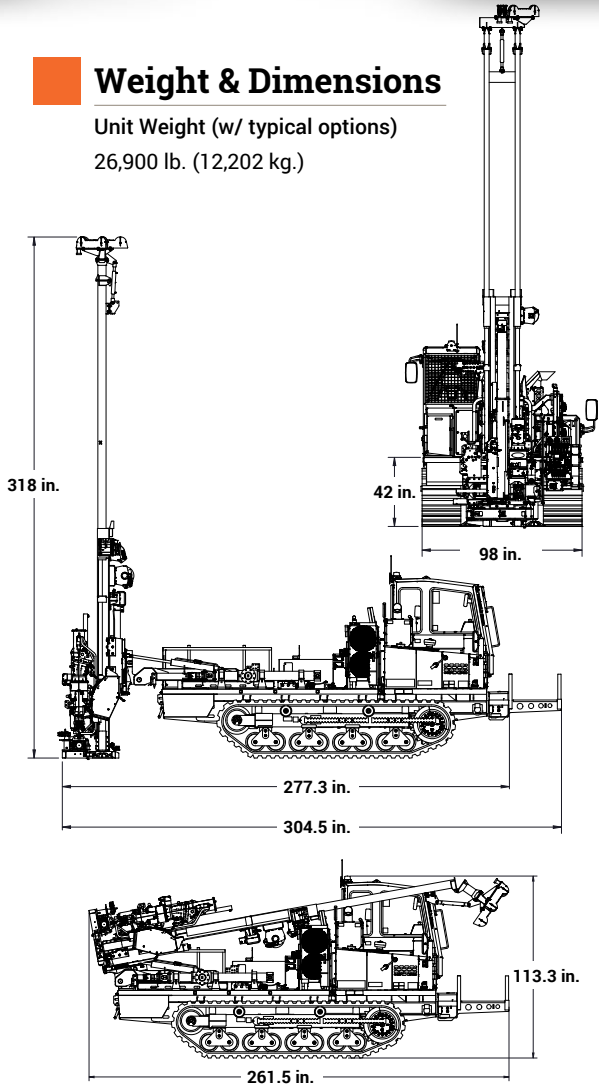
- Manual controls provide tactile feel
- Electric controls add SAFE, HANDS-FREE operation

geoprobe.com/3145gt



Weight & Dimensions

Unit Weight (w/ typical options)
 26,900 lb. (12,202 kg.)



View full specifications online at
geoprobe.com/3145gt

Tooling

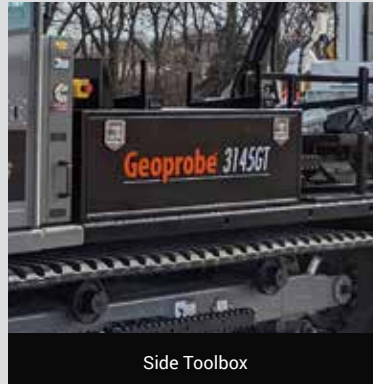
Typical Geoprobe® Tooling for the 3145GT

- HSA System (4.25-in. and 6.25-in.)
- SPT Sampling (Interlocking Split Spoon Sampler, Dual Tube with AWJ Center Rods, 3.25 HSA, 4.5-in. Solid Auger, Mud Rotary)
- Cone Penetration Testing (CPT)
- Direct Push
 - 60-in. Direct Push Tooling
 - Probe Rod Sizes: 3.75-in., 3.25-in., 2.25-in., 1.5-in., 1.25-in.*
 - Macro Core® Soil Sampling (MC5, MC7)
 - Dual Tube Soil Sampling (DT37, DT325, DT22)
 - Groundwater Sampling (SP22, SP16)
 - Prepacked Monitoring Well Installations (2.0-in., 1.5-in., 1.0-in., 0.75-in.)
 - Direct Image® Tooling

* Center Rod Use Only

Rig shown with optional features. Weights & dimensions subject to change without notice.

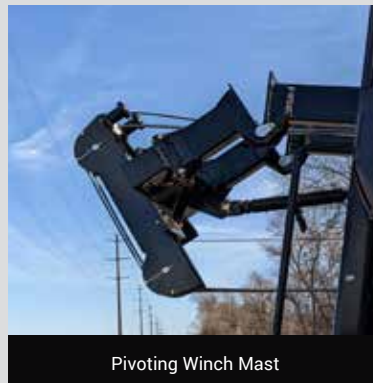
3126GT Features & Options



Side Toolbox



7-in. Breakout Kit



Pivoting Winch Mast



Front Tool Rack



Rig shown with optional features. Weights & dimensions subject to change without notice.